

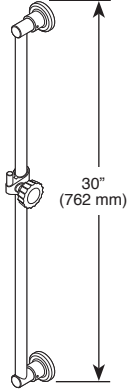
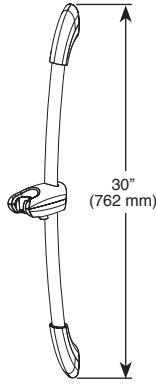
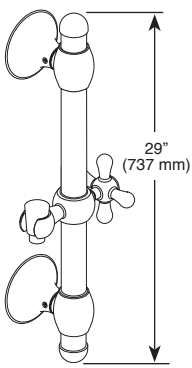
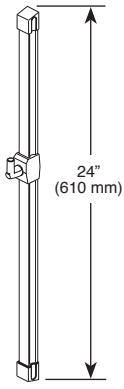
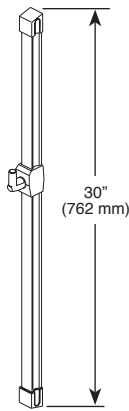
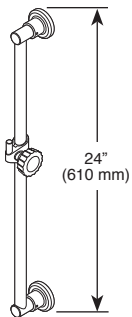
Submitted Model No.: \_\_\_\_\_

Specific Features: \_\_\_\_\_



# WALL BARS

## ■ Decorative Wall Bars

<p><b>55030</b></p>  <p>30" (762 mm)</p>	<p><b>55041-▲-PK</b></p>  <p>30" (762 mm)</p>	<p><b>55083▲</b></p>  <p>29" (737 mm)</p>	<p><b>55511-PK</b></p>  <p>24" (610 mm)</p>
<p><b>55531</b></p>  <p>30" (762 mm)</p>	<p><b>55024</b></p>  <p>24" (610 mm)</p>		

▲ Designate proper finish suffix

### STANDARD SPECIFICATIONS:

- Clear acrylic adjusting knob with metal threads: 55024, 55030.
- Pin mount system: 55030, 55511-PK, 55531, 55024.
- Brass construction: 55030, 55083, 55024.
- Glide rail with adjustable mounting: 55511-PK, 55531.
- Suggest 23 3/4" on center: 55083.
- 30" on center: 55030.
- 24" on center: 55024.

### WARRANTY

- Lifetime limited warranty on parts (other than electronic parts and batteries) and finishes; or for commercial users, for 5 years from the date of purchase.
- 5 year limited warranty on electronic parts (other than batteries); or for commercial users, for 1 year from the date of purchase. No warranty is provided on batteries.



55 E. 111th Street, Indianapolis, Indiana 46280  
 350 South Edgeware Road, St. Thomas, Ontario Canada N5P 4L1  
 © 2015 Masco Corporation of Indiana

Delta reserves the right (1) to make changes in specifications and materials, and (2) to change or discontinue models, both without notice or obligation. Dimensions are for reference only. See current full-line price book or www.specselect.com for finish options and product availability.

DSP-B-55030 Rev. B